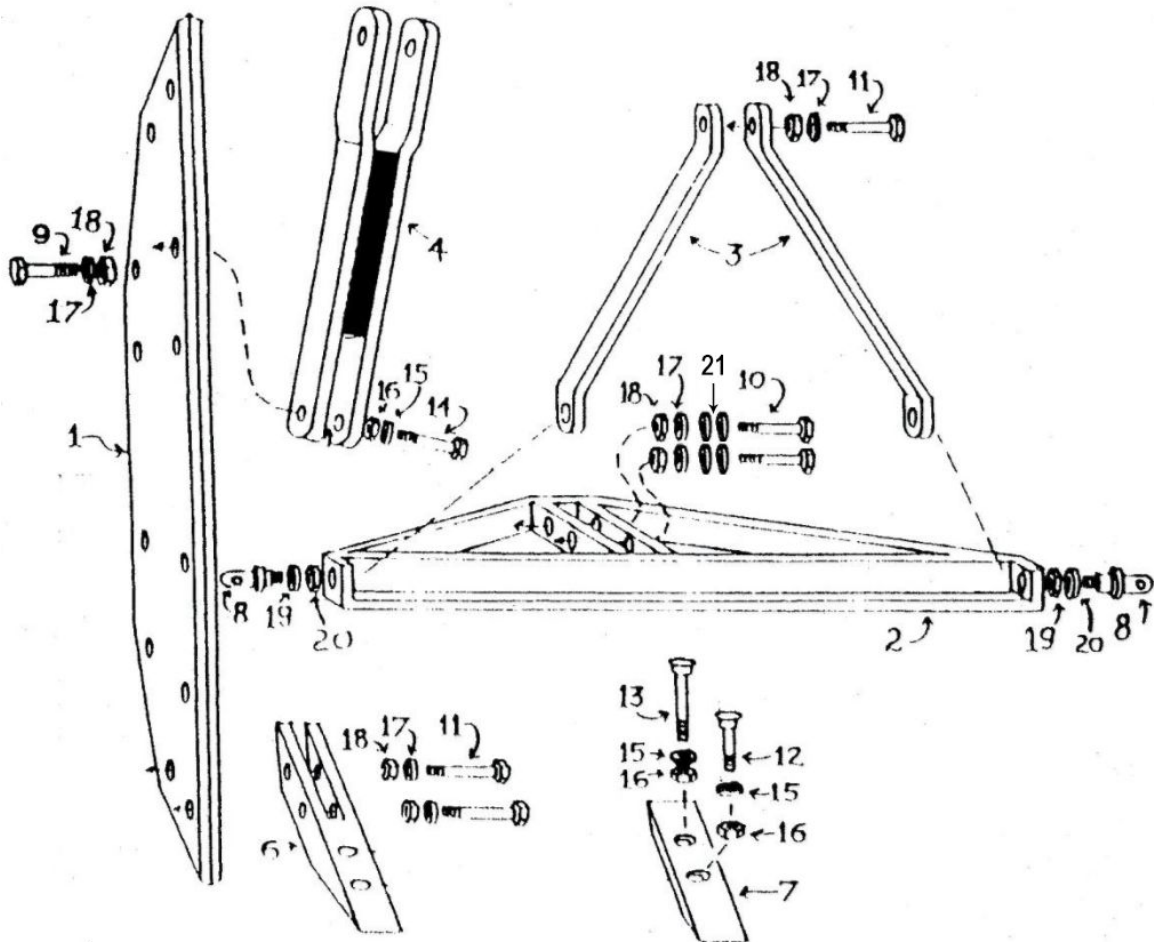


Everything Attachments Sub-soiler

1-866-581-5818



1	Main Beam	11	5/8" x 2-1/2" Capscrew
2	Hitch	12	7/16" x 2" Plow Bolt
3	A-Frame Braces	13	7/16" x 2-1/2" Plow Bolt
4	Top Yoke	14	1/2" x 2-1/2" Capscrew Grade 2 Shear Bolt
5	N/A	15	1/2" Lockwasher
6	Foot	16	1/2" Nut
7	Chisel	17	5/8" Lockwasher
8	Link Pin	18	5/8" Nut
9	5/8" x 2" Capscrew	19	7/8" Lockwasher
10	5/8" x 2-1/2" Capscrew	20	7/8" Nut
		21	5/8" Flat Washer